

# NCA

## High pressure vice

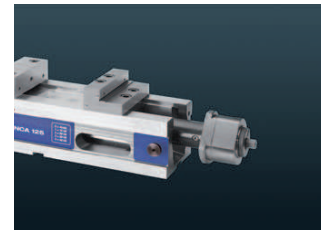
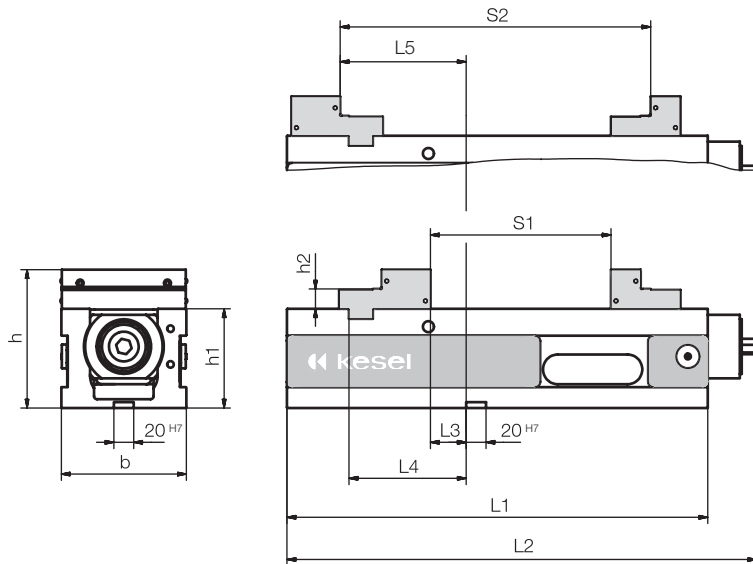
ALLMATIC compatible and with mechanical force intensifier

ALLMATIC compatible jaw interface

- > Clamping range adjustment only through cranks (no jaw offsetting necessary)
- > Jaw arrangement guarantees the maximum in precision
- > Spindle unit quick release system
- > Kesel and ALLMATIC step-click ledge system
- > Maintenance-free, encapsulated spindle with mechanical force intensifier
- > Precise clamping force pre-selection
- > Strong body of spheroidal graphite iron GJS-600
- > Guide rails hardened and grinded

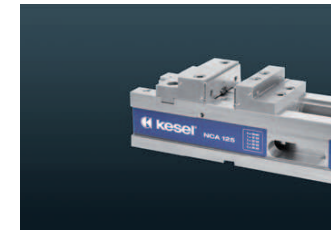
### Scope of delivery:

- 4 clamping claws
- 1 manual crank



### Quick removal of the spindle unit possible:

- > Possible to screw on the vice through the body
- > Optimum cleaning possibilities



### Step ledge quick release system

- > Step ledges are simply "clicked" in by hand, with no need for tools
- > No penetration of chips beneath the step ledge



### Angle drive

- > Operation via table with pre-screwed angle drive (accessory)
- > Optimum accessibility for force adjustment

Jaw width	Order number		Clamping force in kN	Width B in mm	Height h in mm	Height h1 in mm	Height h2 in mm	Weight in kg
	horizontal use	can be clamped on 3 planes						
NCA 90	04.25.065.0000	on inquiry	28	90	114	80	16	15
NCA 125	04.25.165.0000	on inquiry	40	126	139,5	100	20	35
NCA 160	04.25.265.0000	on inquiry	60	164	164,8	115	25	60
	L1	L2	L3	L4	L5	S1	S2	
	305	340	15	73	75	0-126	91-217	
	424	483	36	118	127	0-182	131-313	
	560	616	70	164	178	17-263	187-433	

NCA accessories



**Smooth clamping jaw hardened**, grinded, standard equipment  
**Smooth clamping jaw soft (1.2842)**, milled, for the fabrication of moulding jaws

**Clamping jaw with linear grooves** for firmly gripping the workpieces

Size	Order no. Smooth clamping jaw hardened	Height	Thick- ness
90	01.25.065.1000	34	10
125	01.10.101.005.5	39,2	12
160	01.10.201.004.4	49,2	16

Size	Order no. Smooth clamping jaw soft	Height	Thick- ness
90	01.25.065.1001	34	12
125	01.11.105.002.5	39,2	12
160	01.11.205.002.4	49,2	16

Size	Order no. Clamping jaw with linear grooves	Height	Thick- ness
90	01.25.065.1002	34	10
125	01.11.105.001.5	39,2	12
160	01.11.205.001.5	49,2	16

**Smooth clamping jaw** with step, hardened and grinded, for saving clamping supports

Size	Order no.	Step	Thick- ness	Height
125	01.11.105.003.5	3 x 6	12	39,2
125	01.11.105.008.5	5 x 10	12	39,2
160	01.11.205.003.4	5 x 8	16	49,2

**Clamping jaw with corrugation** hardened and grinded

Size	Order no.	Height	Thick- ness	Gripper Order no.	Thread
90	01.25.065.1003	34	12	01.26.160.048.4	M10
125	01.26.160.035.3	40	12	01.26.160.048.4	M10
160	01.26.260.030.3	50	16	01.26.260.080	M12

**Prism jaws with horizontal and vertical prism 90°** hardened and grinded

Size l	Order no.	Height	Thick- ness	Clamping diameter	
				with 1 jaw	with 2 jaw
90	01.25.065.1004	36	17	ø 12-14	ø 18-42
125	01.11.105.004.4	39,2	28	ø 15-42	ø 24-42
160	01.11.205.004.3	49,2	32	ø 18-50	ø 28-50

**Pull-down jaws** with inset spring leaf for clamping raw parts. The spring leaves establish a secure hold and deep drawing effect

Size	Order no.	Height	Thickness
90	04.25.065.1000	34	24
125	04.13.125.200.9	39,2	25
160	04.13.160.200.9	49,2	28

**Manual crank standard version**

Size	Order no.	Length	Width
90	03.25.065.0001	160	SW12
125 /160	03.25.165.0001	160	SW14



NCA accessories



**Pull-down jaws for raw parts** with inset spring leaf for clamping raw parts. The spring leaves establish a secure hold and deep drawing effect

Size	Order no.	Height	Thickness
90	04.25.065.1001	34	18
125	04.13.125.250.9	40	21
160	04.13.160.250.9	50	24

**Grip ledge** fits step jaws order no. 01.25.150.008, order no. 01.25.150.009 for improved hold of the workpieces on the step (4.5 mm deep, 2.5 mm wide)

Scope of delivery: 2 units per order no.

Size	Grip ledge	Order no.	Height	Step w x h
125	High	04.25.150.055	39,5	1,4 x 4,5
125	Step	04.25.150.056	19,5	2 x 4,5

**Multi-jaws** flexible in use for grip application, as well as pendulum jaws and support elements

Size	Step jaw fixe Order no.	Step jaw mobile Order no.	Length	Width	Height
125	04.25.165.1000	04.25.165.1001	170	105	25
160	04.25.265.1000	04.25.265.1001	200	115	25

**Pendulum jaw** fits multi-jaw moving, order no. 04.25.150.051 for clamping non-parallel workpieces, cast parts and shaped workpieces

Scope of delivery: with 2 x hard metal grip insert

For size	Order no.	Length	Width	Height
90	04.25.065.1004	141	50	20
125	04.25.150.052	156	65	20
160	04.25.265.1002	196	76	23

**Angle drive** for high pressure machine vices Kesel NCA

For size	Order no.	Length	Receptacle
90	02.25.065.0002	12	SW12
125	02.25.165.0002	33	SW14
160	32.25.265.006	49	SW14

**Step ledges**

For size	Order no.	Height	Thickness
90	03.25.065.1000	13	3
90	03.25.065.1001	22	3
125	03.26.160.002.9	39	3
125	04.25.150.060	35	3
125	04.25.150.061	15	3
160	03.25.260.022.9	14	3
160	03.25.260.023.9	30	3
160	03.25.260.024.9	44	3