

ZS

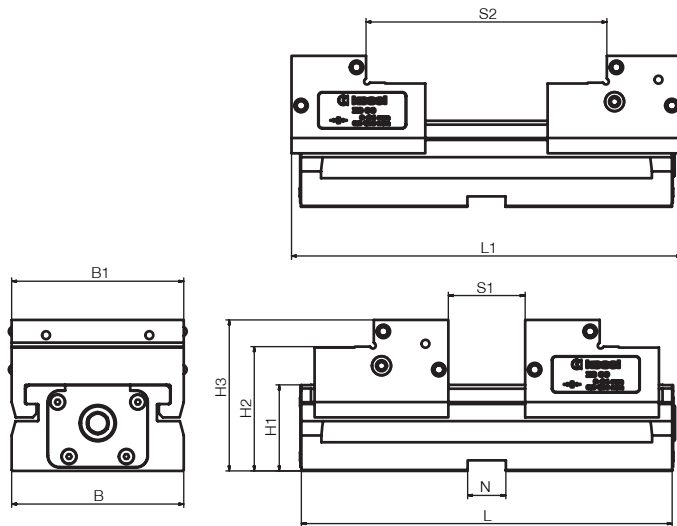
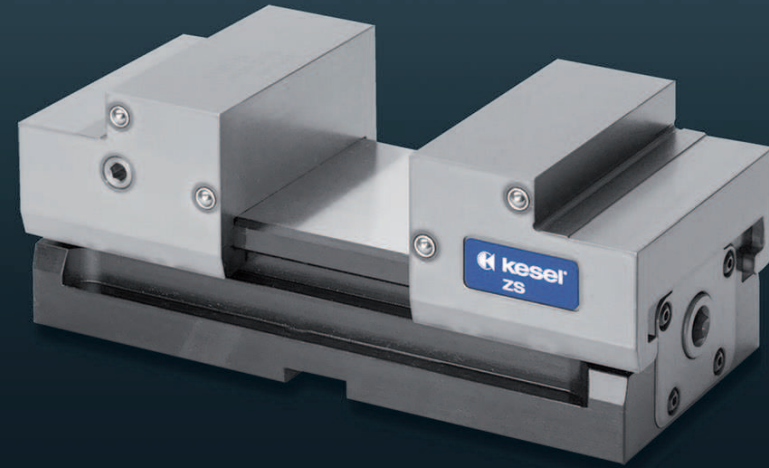
5-sided machining

Conventional with clamping claws on machine table or
Automation with base plate adapted according to
customer wishes

- > For conventional clamping
- > Suitable for automation
- > With quick adjustment of the clamping range
- > Optimum chip protection, enclosed system
- > With jaws quick release system
- > For various jaws systems (on inquiry)

Scope of delivery:

Hexagon operating key

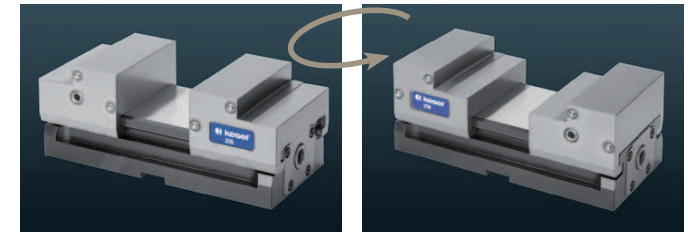


Type ZS	Order number	Length L	Length max. L1	Width B	Jaw width B1	Height H1	Height H2	Height H3	groove	Clamping range S1	S2	Clamp. stroke
45	03.25.370.0004	118	125	45	45	30	42	48	12	0 - 35	34 - 69	2x18,5
65	03.25.370.0006	144	148	65	65	38	53	63	20	0 - 44	42 - 86	2x24
90	03.25.370.0009	194	205	90	90	45	65	80	20	0 - 64	62 - 126	3x24
115	03.25.370.0010	194	205	90	115	45	65	80	20	0 - 64	62 - 126	3x24



Automation

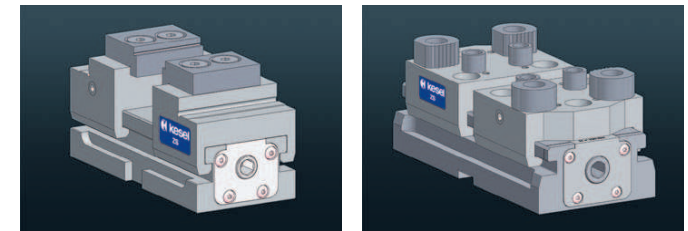
- > Adaptation to handling systems possible through special plates



Jaws quick release system

- > A special latching mechanism allows quick adjustment of the clamping range, as well as a quick jaws change.
- > Quick change from standard jaw to special jaw possible (see accessories)

Type ZS	max. clamping force	Weight kg
45	10 KN bei 50 Nm	2
65	15 KN bei 80 Nm	4
90	25 KN bei 120 Nm	8
115	25 KN bei 120 Nm	9



ZS accessories



Step jaw screw-on

Type	Order no.	Width	Height
ZS 45	02.25.370.1040	45	6
ZS 45	02.25.370.1041	26	6
ZS 65	02.25.370.1060	65	6
ZS 65	02.25.370.1061	36	6
ZS 90	02.25.370.1090	90	8
ZS 90	02.25.370.1091	50	8
ZS 115	02.25.370.1111	115	8
ZS 115	02.25.370.1112	60	8



Grip - ledge

Type	High side Order no.	Height	Step w x h
ZS 45	02.25.370.1043	18	2 x 3
ZS 65	02.25.370.1066	25	2 x 4,5
ZS 90	02.25.370.1092	34	2 x 4,5
ZS 115	02.25.370.1113	34	2 x 4,5

Type	Step side Order no.	Height	Step w x h
ZS 45	02.25.370.1044	6	10 x 3
ZS 65	02.25.370.1067	10	10 x 4,5
ZS 90	02.25.370.1093	14	2 x 2,5
ZS 115	02.25.370.1114	14	2 x 2,5



Step ledge Click step side

Type	Order no.	Height	Thickness
ZS 45	01.25.370.1042	4	3
ZS 65	01.25.370.1068	6	3
ZS 90	01.25.370.1094	11	3
ZS 115	01.25.370.1115	11	3



Step ledge Click high side

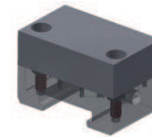
Type	Order no.	Height	Thickness
ZS 45	02.25.370.1047	15	3
ZS 65	02.25.370.1069	20	3
ZS 90	02.25.370.1095	29	3
ZS 115	02.25.370.1116	29	3

ZS accessories



Multi-jaws flexible in use for grip application and support elements

Type	Order no.	L	W	H	Clamping range max
ZS 45	03.25.370.1040	40	65	12	81
ZS 65	03.25.370.1060	50	90	15	102
ZS 90 ZS 115	03.25.370.1100	70	115	20	118



soft jaw on multi-jaws. Material 90 MnCrV8

Type	Order no.	Length	Width	Height
ZS 45	02.25.370.1048	40	65	20
ZS 65	02.25.370.1071	50	90	25
ZS 90 ZS 115	02.25.370.1097	70	115	30



Prism jaws hardened and grinded

Type	Order no.	L	W	H	Clamping ø
ZS 45	02.25.370.1050	8	45	18	ø 6 - 18
ZS 65	02.25.370.1070	9	65	25	ø 8 - 25
ZS 90 ZS 115	02.25.370.1096	14	90	18	ø 10 - 34



Clamping claws

Type	Order no.	for	L	W	Elongated hole
ZS 45 ZS 65	01.25.370.0052	B45 und B65	53	30	11
ZS 90 ZS 115	01.25.370.0102	B90 und B115	60	30	13

no image

Rotary handle (replacement) for jaw actuation

Type	Order no.	SW
ZS 45 ZS 65 ZS 90 ZS 115	02.25.370.0000	4